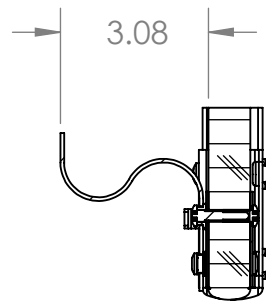
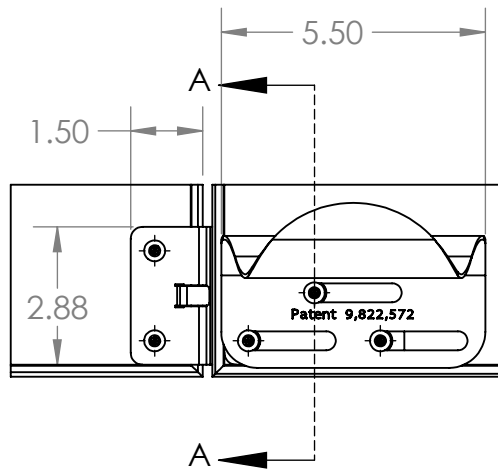
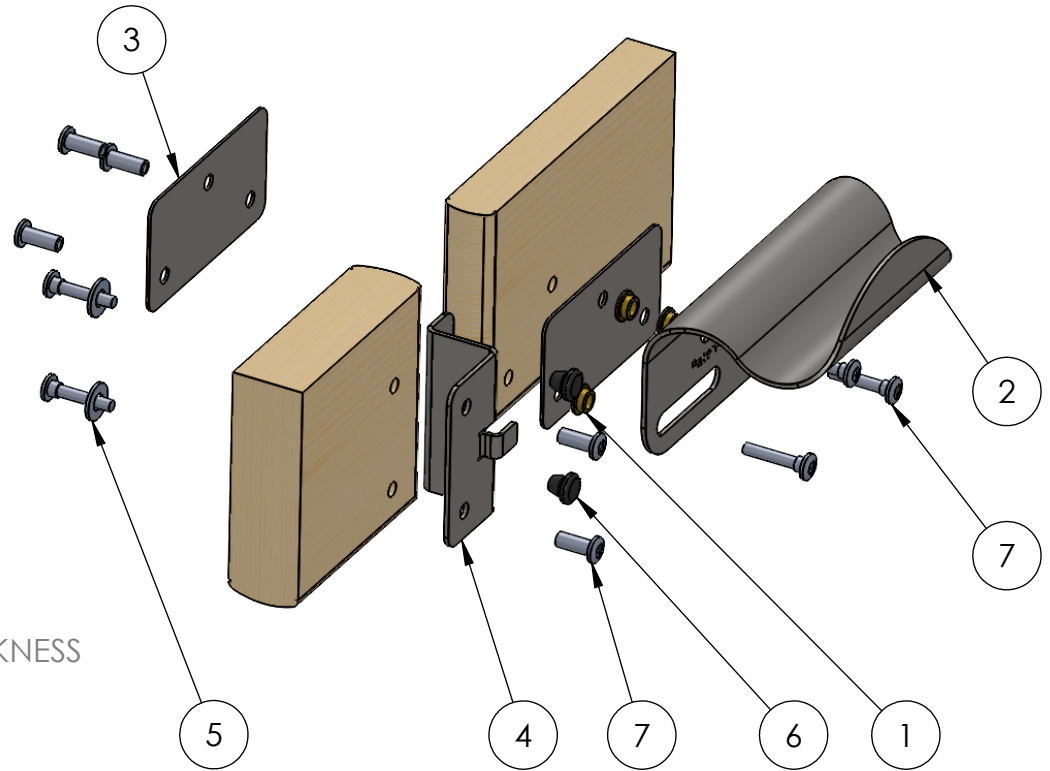
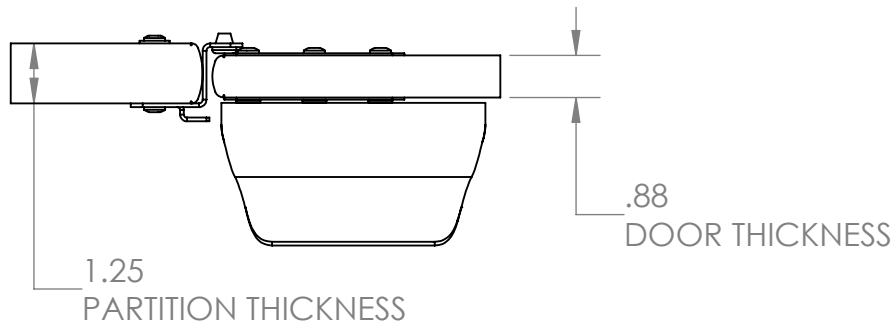


ITEM NO.	DESCRIPTION	QTY.
1	SLEEVE BEARING	3
2	SMALLWAVE FOOT PULL	1
3	BACKING PLATE	2
4	DOOR STOP	1
5	1/4" WASHER	2
6	RUBBER BUMPER	2
7	TORQUE HEAD SHOULDER SCREW & BARREL NUT	5



- NOTES:
- MAT'L:
 - WEIGHT: 1.25 LBS
 - FINISH:

PROPRIETARY AND CONFIDENTIAL

THE INFORMATION CONTAINED IN THIS DRAWING IS THE SOLE PROPERTY OF MONROE ENGINEERING. ANY REPRODUCTION IN PART OR AS A WHOLE WITHOUT THE WRITTEN PERMISSION OF MONROE SERVICES IS PROHIBITED.

UNLESS OTHERWISE SPECIFIED:

DIMENSIONS ARE IN INCHES
 TOLERANCES:
 FRACTIONAL $\pm 1/32$
 ANGULAR: MACH $\pm 1^\circ$ BEND $\pm 2^\circ$
 TWO PLACE DECIMAL $\pm .01$
 THREE PLACE DECIMAL $\pm .005$

INTERPRET GEOMETRIC TOLERANCING PER: ASME Y14.5-2009

MATERIAL
SEE NOTES

FINISH
SEE NOTES

DO NOT SCALE DRAWING



U.S. Patent No. 9,822,572

TITLE: Stall Lock DoorWave

SIZE A	DWG. NO. Stall Lock DoorWave LineArt	REV 0
------------------	---	-----------------

SCALE: 1:4	WEIGHT: 0.028	SHEET 1 OF 3
------------	---------------	--------------

5

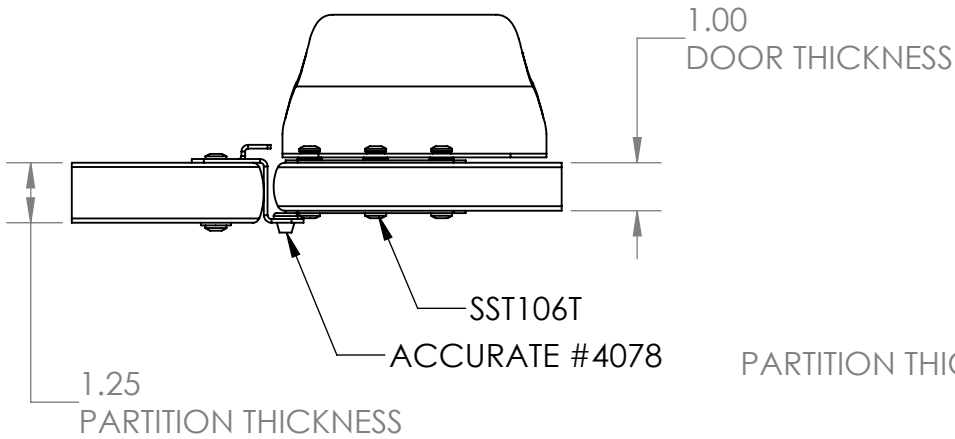
4

3

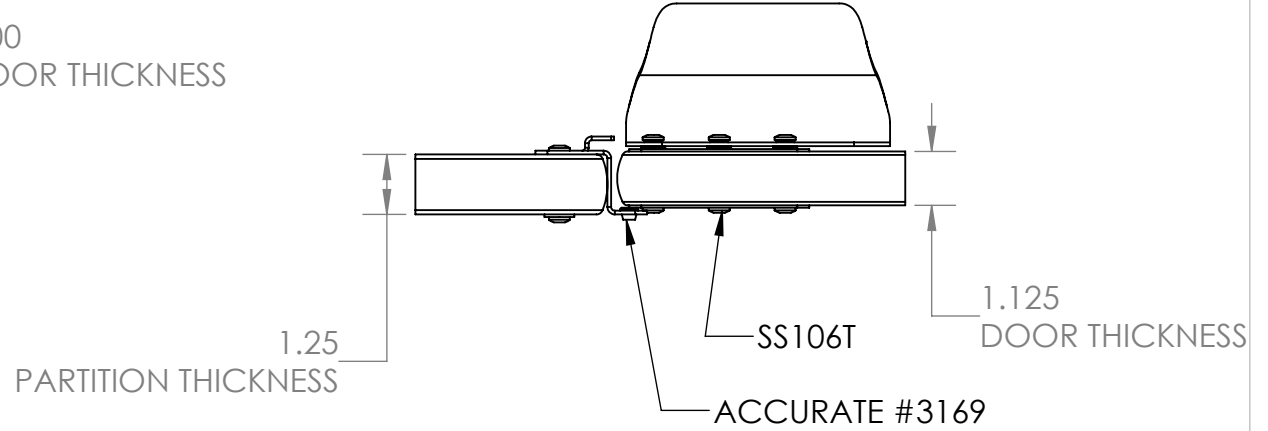
2

1

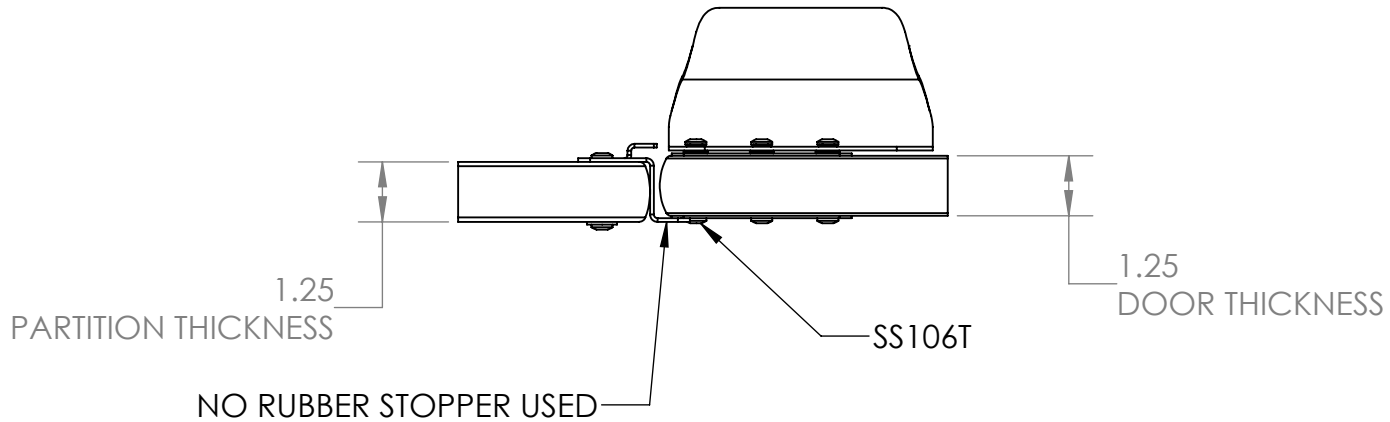
1" Door




1-1/8" Door



1-1/4" Door



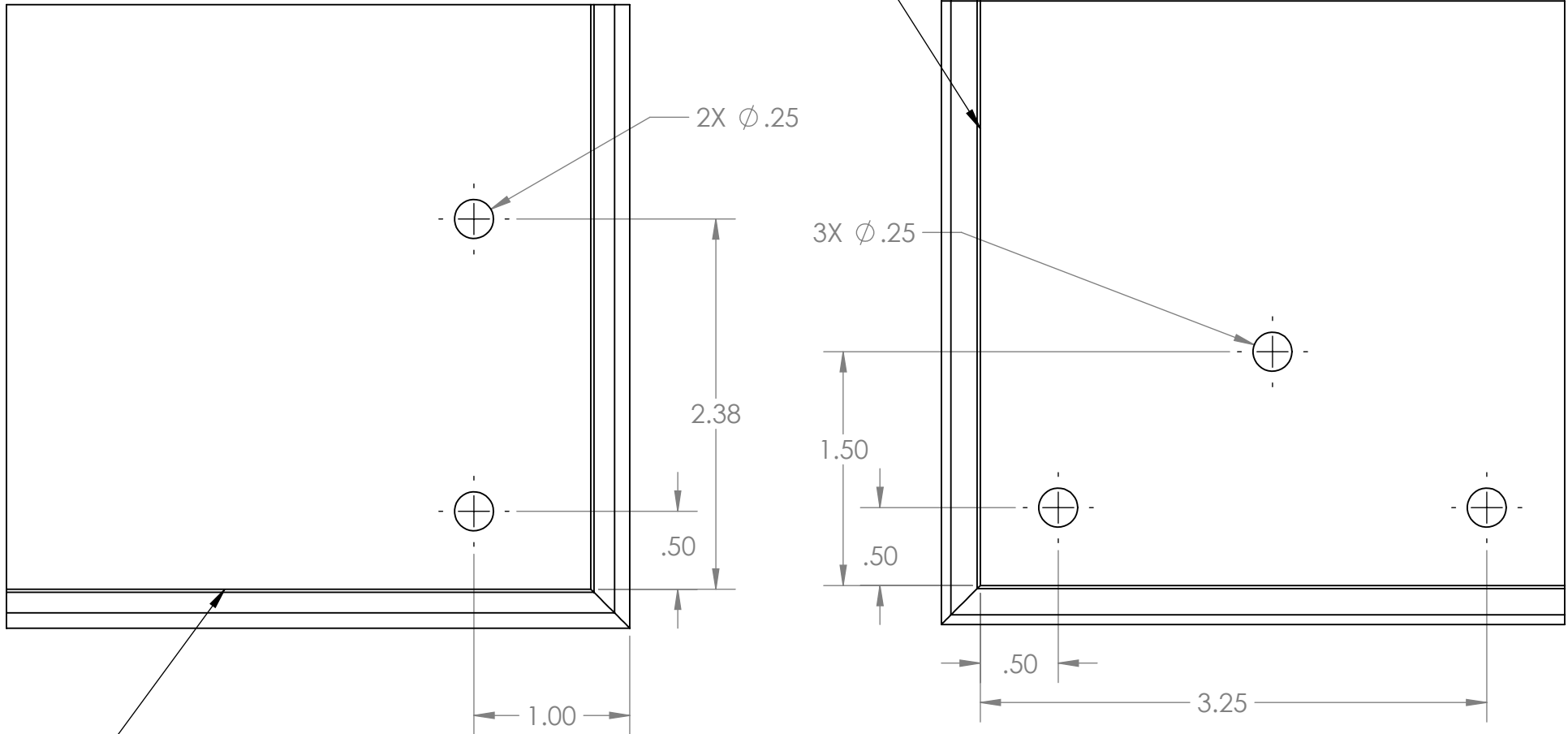
UNLESS OTHERWISE SPECIFIED:		 U.S. Patent No. 9,822,572	
DIMENSIONS ARE IN INCHES TOLERANCES: FRACTIONAL $\pm 1/32$ ANGULAR: MACH $\pm 1^\circ$ BEND $\pm 2^\circ$ TWO PLACE DECIMAL $\pm .01$ THREE PLACE DECIMAL $\pm .005$			
INTERPRET GEOMETRIC TOLERANCING PER: ASME Y14.5-2009		TITLE: Stall Lock DoorWave	
MATERIAL	SEE NOTES	SIZE	DWG. NO.
FINISH	SEE NOTES	A	Stall Lock DoorWave LineArt
DO NOT SCALE DRAWING		SCALE: 1:4	WEIGHT: 0.028
		SHEET 2 OF 3	
			REV 0

PROPRIETARY AND CONFIDENTIAL
 THE INFORMATION CONTAINED IN THIS DRAWING IS THE SOLE PROPERTY OF MONROE ENGINEERING. ANY REPRODUCTION IN PART OR AS A WHOLE WITHOUT THE WRITTEN PERMISSION OF MONROE SERVICES IS PROHIBITED.

PARTITION DOOR TEMPLATE

EDGE OF BATHROOM DOOR
INNER PANEL

BATHROOM DOOR TEMPLATE



EDGE OF PARTITION INNER PANEL

UNLESS OTHERWISE SPECIFIED:

DIMENSIONS ARE IN INCHES
TOLERANCES:
FRACTIONAL $\pm 1/32$
ANGULAR: MACH $\pm 1^\circ$ BEND $\pm 2^\circ$
TWO PLACE DECIMAL $\pm .01$
THREE PLACE DECIMAL $\pm .005$

INTERPRET GEOMETRIC
TOLERANCING PER: ASME Y14.5-2009

MATERIAL
SEE NOTES

FINISH
SEE NOTES

DO NOT SCALE DRAWING



U.S. Patent No. 9,822,572

TITLE: Stall Lock DoorWave

SIZE A	DWG. NO. Stall Lock DoorWave LineArt	REV 0
------------------	---	-----------------

SCALE: 1:1	WEIGHT: 0.028	SHEET 3 OF 3
------------	---------------	--------------

PROPRIETARY AND CONFIDENTIAL

THE INFORMATION CONTAINED IN THIS DRAWING IS THE SOLE PROPERTY OF MONROE ENGINEERING. ANY REPRODUCTION IN PART OR AS A WHOLE WITHOUT THE WRITTEN PERMISSION OF MONROE SERVICES IS PROHIBITED.