

6

5

4

3

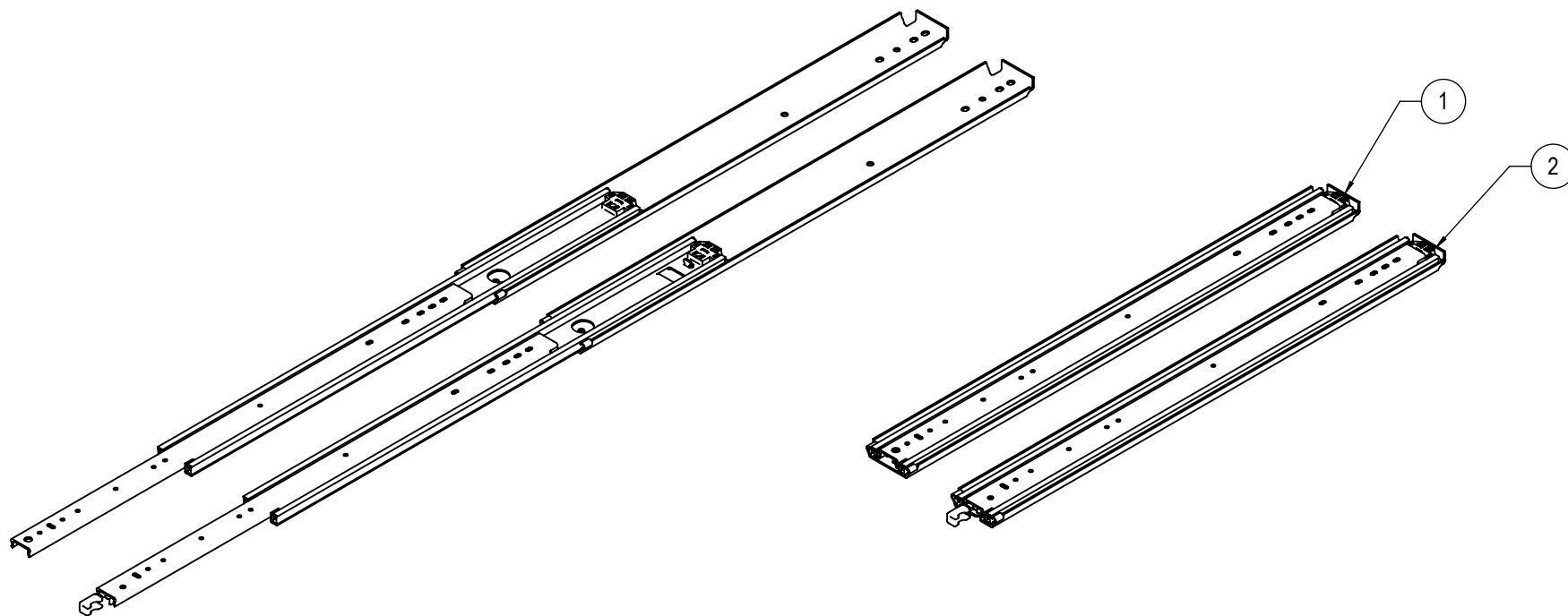
2

1

REVISIONS

REV.	DESCRIPTION	DATE	BY
A	INITIAL DRAWING RELEASE (REV 1 SAME AS REV A)	11/16/2018	RGM
B	UPDATED SLIDE	2/17/2021	KC

ITEM	QTY.	PART NO.	DESCRIPTION
1	1	I-DS-3300-30	30" 3300 SERIES SLIDE
2	1	I-DS-3500-30L-5	30" 3500 SERIES SLIDE, LEFT




PART NUMBER: I-DS-3500-30	MATERIAL: STEEL
DESCRIPTION: 30" 3500 SERIES SLIDE, SET	FINISH: ZINC PLATED



RYADON INC.

NOTES:

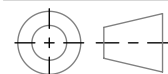
- DIMENSIONS APPLY AFTER FINISH.
- DO NOT SCALE DRAWING.
- BREAK ALL SHARP EDGES AND REMOVE ALL BURRS.
- MUST HAVE NO SCRATCHES, DINGS, DENTS OR SURFACE IMPERFECTIONS OTHER THAN SURFACE FINISH REQUIREMENTS.
- CRITICAL DIMENSIONS ARE INDICATED BY: 
- TO BE INSPECTED TO 2.5 AQL SAMPLING PLAN UNLESS OTHERWISE STATED.
- ENSURE PACKAGING WILL PROVIDE ADEQUATE PROTECTION DURING TRANSPORT.
- GEOMETRIC FEATURES NOT DIMENSIONED ARE CONTROLLED BY 3D MODEL.

UNLESS OTHERWISE SPECIFIED:
DIMENSIONS ARE IN INCHES [mm]

.XX [X] = ± 0.03 [0.8mm]
.XXX [XX] = ± 0.015 [0.38mm]
.XXXX [XXX] = ± 0.0080 [0.203mm]
FRACTIONAL = ± 1/32"
ANGULAR: ± 1.0°

PROPRIETARY AND CONFIDENTIAL
THE INFORMATION CONTAINED IN THIS DRAWING IS THE SOLE PROPERTY OF RYADON INC. ANY REPRODUCTION
IN PART OR AS A WHOLE WITHOUT THE WRITTEN PERMISSION OF RYADON INC. IS PROHIBITED.

THIRD ANGLE PROJECTION



SIZE

A

NAME	ENGR	SALES	QUALITY	REV
KCHEN	MB	PN		B
DATE	1/19/2021	2/17/2021	2/16/2021	
SCALE: 1:8		DO NOT SCALE		SHEET 1 OF 1

6

5

4

3

2

1