

6

5

4

3

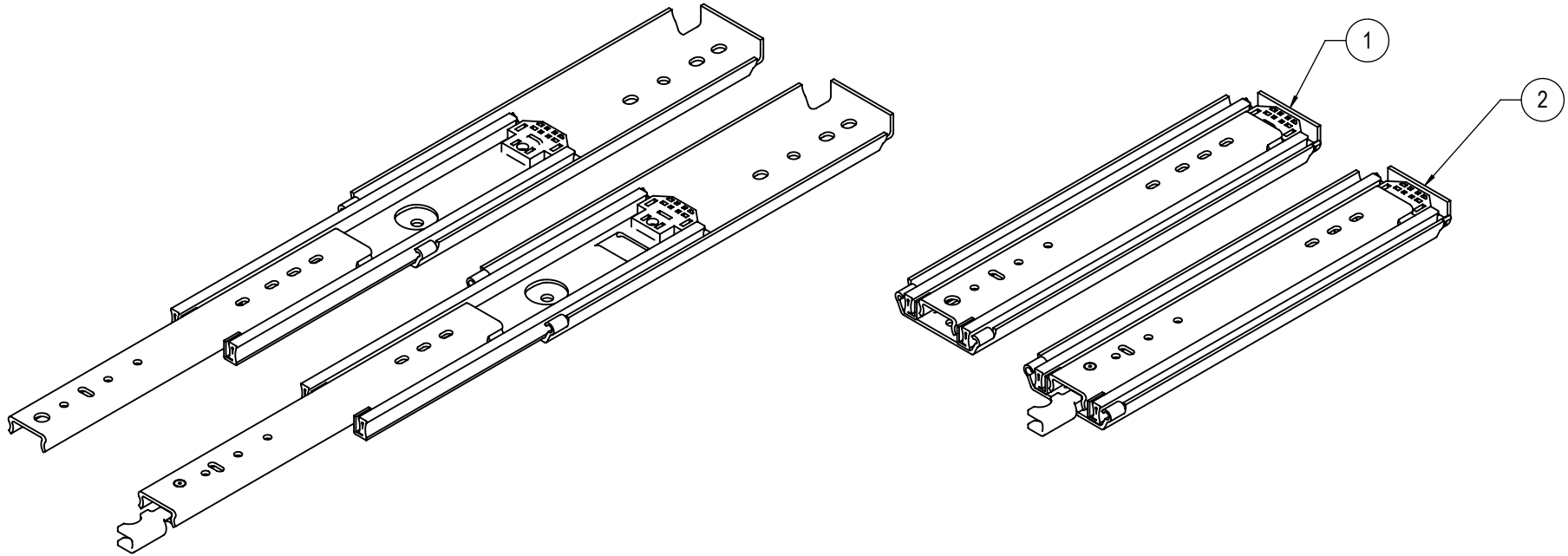
2

1

## REVISIONS

REV.	DESCRIPTION	DATE	BY
A	INITIAL DRAWING RELEASE (REV 1 SAME AS REV A)	11/16/2018	RGM
B	UPDSTED SLIDE	2/17/2021	KC

ITEM	QTY.	PART NO.	DESCRIPTION
1	1	I-DS-3300-12	12" 3300 SERIES SLIDE
2	1	I-DS-3500-12R-5	12" 3500 SERIES SLIDE, RIGHT



PART NUMBER:	I-DS-3500-12	MATERIAL:	STEEL
DESCRIPTION:	12" 3500 SERIES SLIDE, SET	FINISH:	ZINC PLATED

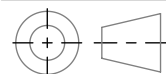


# RYADON INC.

UNLESS OTHERWISE SPECIFIED:  
DIMENSIONS ARE IN INCHES [mm]

.XX [X] = ± 0.03 [0.8mm]  
.XXX [XX] = ± 0.015 [0.38mm]  
.XXXX [XXX] = ± 0.0080 [0.203mm]  
FRACTIONAL = ± 1/32"  
ANGULAR: ± 1.0°

THIRD ANGLE PROJECTION




SIZE

## A

ENGR	SALES	QUALITY	REV
KCHEN	MB	PN	B
DATE	1/12/2021	2/17/2021	
SCALE: 1:4		DO NOT SCALE	
			SHEET 1 OF 1

## NOTES:

- DIMENSIONS APPLY AFTER FINISH.
- DO NOT SCALE DRAWING.
- BREAK ALL SHARP EDGES AND REMOVE ALL BURRS.
- MUST HAVE NO SCRATCHES, DINGS, DENTS OR SURFACE IMPERFECTIONS OTHER THAN SURFACE FINISH REQUIREMENTS.
- CRITICAL DIMENSIONS ARE INDICATED BY: 
- TO BE INSPECTED TO 2.5 AQL SAMPLING PLAN UNLESS OTHERWISE STATED.
- ENSURE PACKAGING WILL PROVIDE ADEQUATE PROTECTION DURING TRANSPORT.
- GEOMETRIC FEATURES NOT DIMENSIONED ARE CONTROLLED BY 3D MODEL.

6

5

4

3

2

1